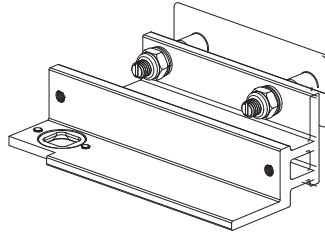


MODEL 7860
Mounting Kit, Roll Up Door
INSTALLATION INSTRUCTIONS



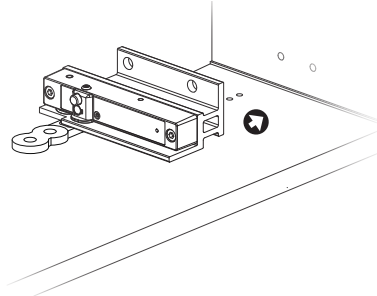
Tools Required

- † 2]V_ H d/_TY DVer^ VeeZ/
- † 7]Re3]RUV DTd/h 5c]Vc
- † AY]Zad DTd/h 5c]Vc
- † > RdVc
- † 4^ ^ VcT[R] Bf R]Z 5c] R_U 3Zd
- † 7]RdY]XYe

Note:
Due to the variety of roll-up door styles, determine the optimal position for the lock and strike that avoids obstacles such as reinforced edges, hardware and wires. It is possible to mount the strike to either the door or sidewall (with L bracket, not included).

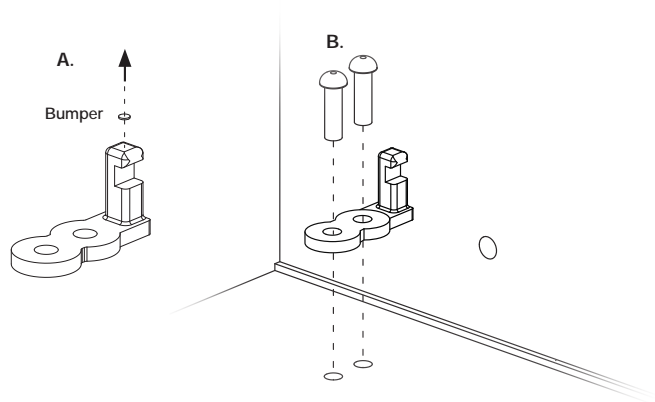
STEP 1

F dV deZV R_U ScRT\VeRd e/\^ a]RdZ> Rc\ Y`]VdZ5c] dh` (Z`~ i`"^^^/ Y`]Vd WcScRT\VeZ_U` cZ5c] dh` (Z`~ i`"^^^/Y`]Vd WcdeZVZ



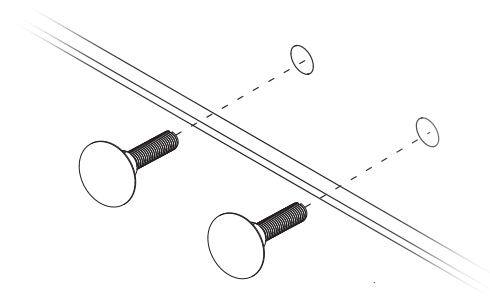
STEP 2

2ZCV^` gV Sf^ aVcW^ deZVZ
3Z:_deR] e]V deZVZ\$Z` i`! ^^/UR^ Ve/teYRdJh Rcd/_` eac gZ]VUZ
CVT` ^^ V_UReZ_d+
† =RX dTd/h d Wch` U Z_deR]ReZ_dZ
† ? f ad R_U S`]ad Wc^ VeR] Raa]ZReZ_Z
† F dV S` eY -ReR_U] T\ h RdYVcd WcR]]WdeV_VcdZ



STEP 3

:_deR] ^^ f_eZ_X a]RdV` _U` cZ
CVT` ^^ V_UReZ_d+
† 5c]] f adZV\ WU` ce` RTT` ^^ URd\ -R_XV` _S`]ad R_U Rddf d/ R -f dY
}e` VdV` ^^ f_eZ_X a]RdV` e` e]V U` cZ



Outside View

